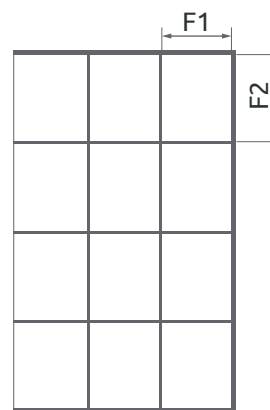
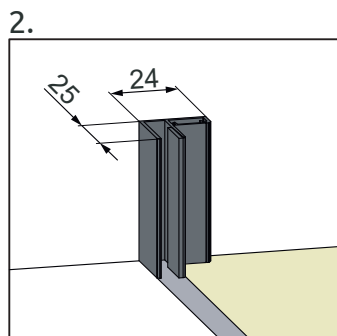
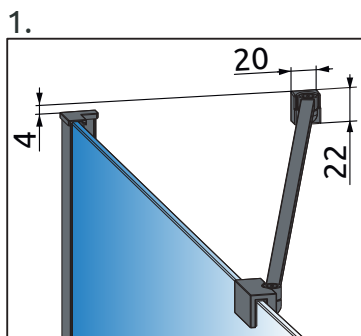


Wariant W2



Wariant W3



| Model          | X         | H    | F1  | F2  | Wariant |
|----------------|-----------|------|-----|-----|---------|
| <b>PNJ 50</b>  | 500-515   | 1500 | 225 | 358 | W2      |
| <b>PNJ 60</b>  | 600-615   | 1500 | 275 | 358 |         |
| <b>PNJ 70</b>  | 700-715   | 1500 | 325 | 358 |         |
| <b>PNJ 80</b>  | 800-815   | 1500 | 375 | 358 |         |
| <b>PNJ 90</b>  | 900-915   | 1500 | 280 | 358 | W3      |
| <b>PNJ 100</b> | 1000-1015 | 1500 | 313 | 358 |         |

