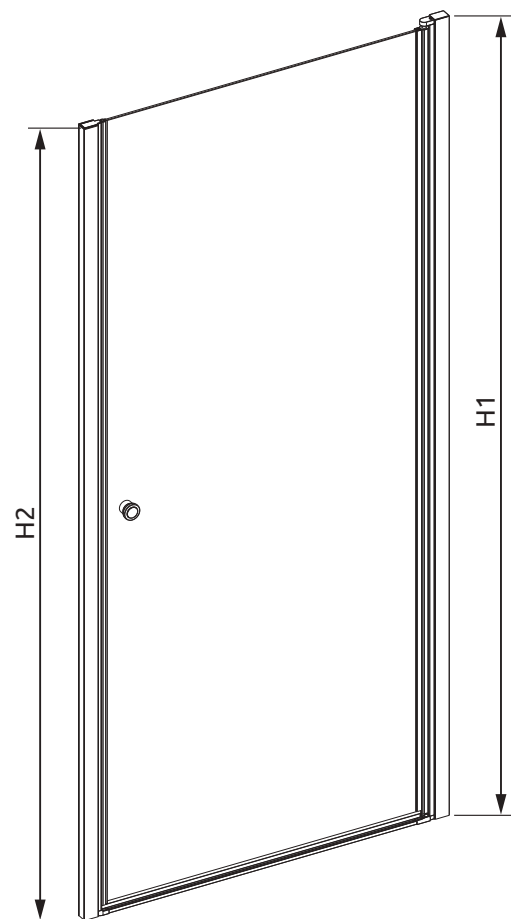


Wariant LEWY
Variant L



Wariant PRAWY
Variant R

Model	X	B	D	H1	H2
DWJ I 70	690-710	584	590	1970	1950
DWJ I 80	790-810	684	690	1970	1950
DWJ I 90	890-910	784	790	1970	1950
DWJ I 100	990-1010	884	890	1970	1950

